



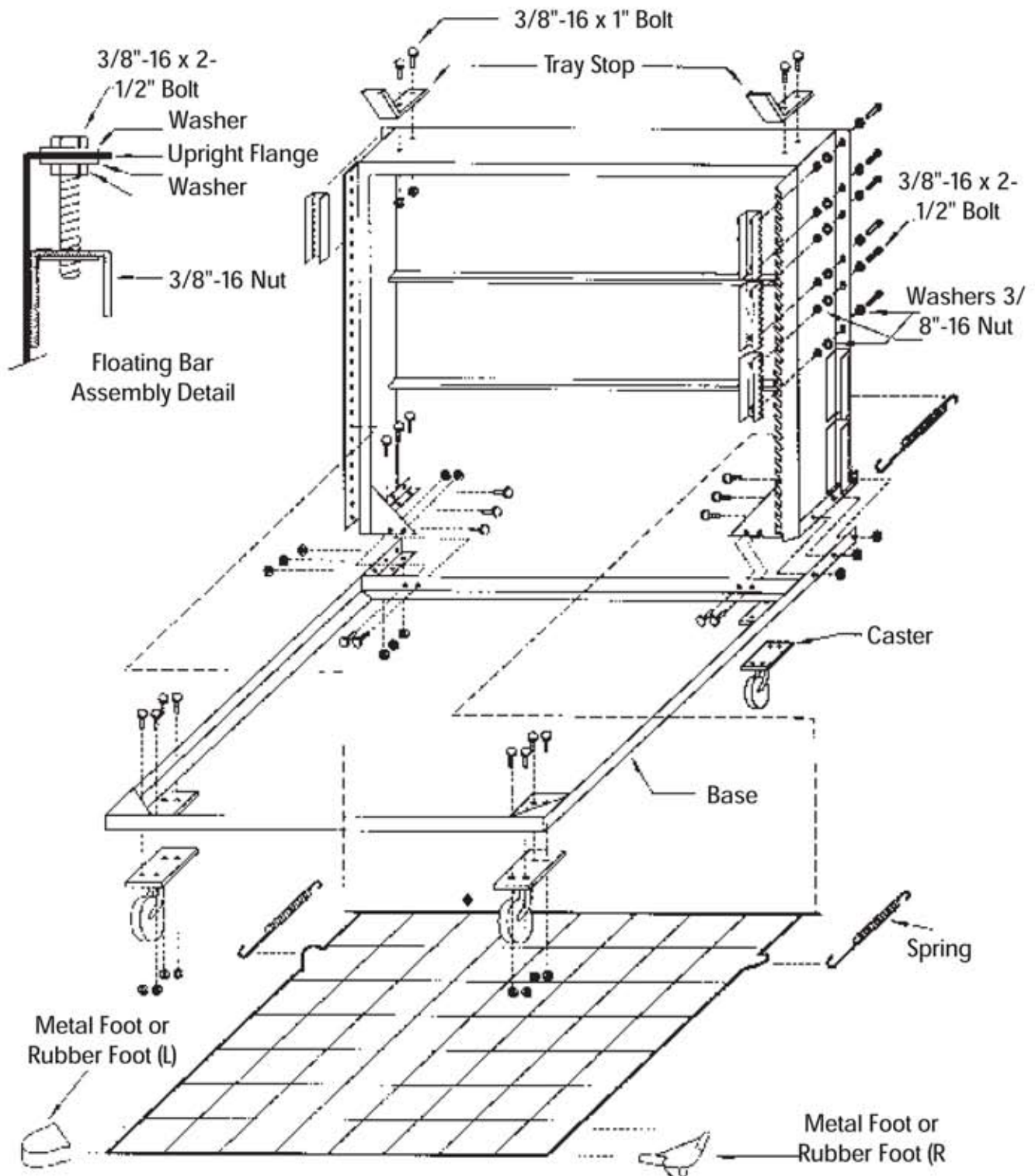
# MARK VI MULTI-RACK ASSEMBLY INSTRUCTIONS

1. Attach the four casters to the base frame using sixteen 5/16"-18x3/4" nuts and bolts.
2. Assemble the upright to the base frame using 3/8"-16 x 1" nuts and bolts. There are 16 nuts and bolts used for models 4052, 5269 and 5281, and 12 for models 2232, 2348 and 4333.
3. Attach the Floating Bars to the uprights with the wide flange against the upright and the flange with holes away from the upright. Attach each Floating Bar with two 3/8"-16 x 2-1/2" bolts, four washers and two nuts as shown in the figure, but do not tighten. See enlargement of Floating Bar assembly for further detail.
4. Notice there are slots on the right side of the upright and holes on the left for tray mounting. Larger racks have a center pivot bar, with slots, for added support. On double spaced racks, every other hole is used. The back of the tray has metal posts extending past the tray. Insert one end into a hole on the upright and the other into the corresponding slot on the other side.
5. Holding the tray near vertical, attach the springs. The small hook on the spring is inserted into a hole on the Floating Bar. The other end of the spring is inserted into the "ear" on the tray. This is done fore each tray - one on each side.
6. Your rack is equipped with either rubber or metal feet that attach to the other corners of the tray and provide spacing and support. They are marked "R" and "L" for right and left. The rubber feet are mounted over the wire until they "snap" in place. Place a Red Rubber Foot on every tenth tray, to facilitate counting. Metal feet are attached with the aid of pliers; after they are attached, crimp the metal tabs over the tray wires.
7. When properly installed, a shelf will remain in either the up or down position. To achieve this , the Floating Bars are adjusted by means of the two 3/8"-16 x 2-1/2" lock nuts and bolts. These bolts **MUST** remain at the bottom of the slots after they are tightened.
8. To increase tension, the Floating Bars are tightened. First raise the trays that are seated in the Floating Bard to be tightened. The move the Floating Bar closer to the anchor flange by means of the two nuts per bar. Tighten then nuts against the washers, at the bottom of the slots, for a rigid assembly.
9. Attach the two tray stops to the top of the upright with two 3/8"-16 x 1" nuts and bolts.

## Parts included with this shipment

QUANTITY	DESCRIPTION	CATALOG NO.
1	Base	
1	Upright	
50	Trays	
100	Springs	
1	Hardware Kit containing	
16	5/16"-18 x 3/4" Bolts	
16	5/16"-18 Nuts	
20	3/8"-16 x 2-1/2" Bolts	
20	3/8"-16 x 1" Bolts	
40	3/8"-16 Nuts	
40	1" x 7/16" Washers	
2	Tray Stops	MRZ09
45	Right Black Rubber Feet	MRZ12
45	Left Black Rubber Feet	MRZ13
5	Right Red Rubber Feet	MRZ14
5	Left Red Rubber Feet	MRZ15
10	Floating Bars	MRZ16
4	Casters	MRZ17

# Mark VI Multi-Rack



## Saturn Racks

A Division of The A.W.T. World Trade Group  
4321 N. Knox Avenue • Chicago, IL 60641 USA  
773.777.7100 • Fax: 773.777.0909  
sales@awt-gpi.com • www.saturnrack.com